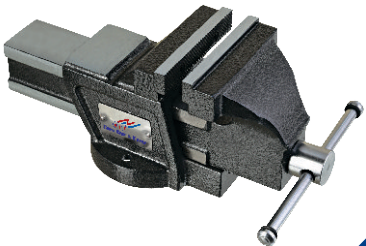
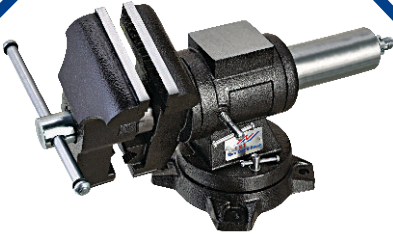
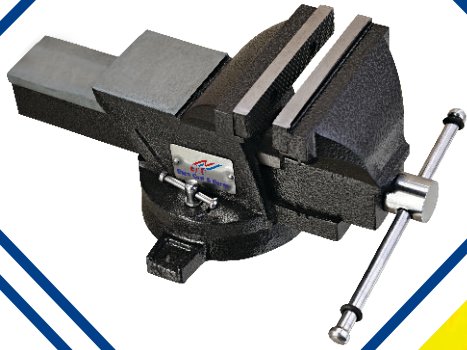
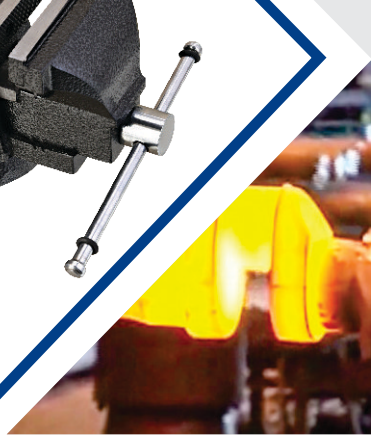




Euro Cast & Forge



www.eurocastforge.com

Certificate

Standard **IATF 16949:2016**
(1st edition, 2016-10-01)

Certificate Registr. No. 01 111 1836801
IATF Certificate No. 0334639

Certificate Holder: **Euro Cast & Forge**
Mansrover Chowk, Near Sua Road,
Industrial Area-C, Kanganwal
Ludhiana -141017, Punjab, India

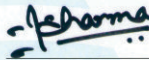
Scope: Manufacture of Cast Iron and SG Iron Castings.

Excluding Product Design

Proof has been furnished by means of an audit that the requirements of IATF 16949:2016 are met.

Issue date/ Expiry date: The certificate is valid from 2018-09-14 until 2021-09-13.

Release date: 2018-09-14



TÜV Rheinland Cert GmbH
Am Grauen Stein • 51105 Köln
Germany - NRW



2-IAO-QMC 01003

1 / 1

www.tuv.com

 **TÜV Rheinland®**
Precisely Right. CIN: U72819KA1989PT02963

CERTIFICATE

Certificate

Standard **ISO 9001:2015**

Certificate Registr. No. **01 100 1836801**

Certificate Holder: **Euro Cast & Forge
Mansarover Chowk,
Near Sua Road, Industrial Area - C,
Kanganwal, Ludhiana – 141 017,
Punjab, India.**

Scope: **Manufacture of Cast Iron and SG Iron Castings
and Vices & Clamps**

Proof has been furnished by means of an audit that the requirements of ISO 9001:2015 are met.

Validity: The certificate is valid from 2019-11-12 until 2021-09-13.
First certification 2019

2019-11-12



TÜV Rheinland Cert GmbH
Am Grauen Stein • 51105 Köln



www.tuv.com

 **TÜVRheinland®**
Precisely Right.

©2019 TÜV RHEINLAND. TÜV, TÜR and TÜF are registered trademarks. Utilization and application requires prior approval.

CERTIFICATE



Euro Cast & Forge

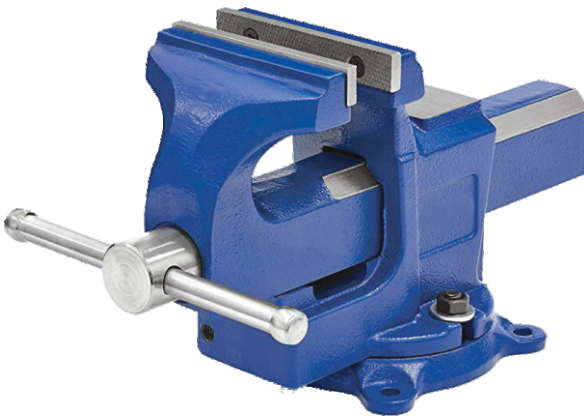
- IATF 16949:2016 Certified Company
- Professional manufacturers of Bench Vices
- Have cooperation with renowned brands in International Market
- Main Products
 - Ductile / SG Iron Castings
 - Grey Iron Castings
 - All Kinds of Bench Vices
- Own 2 Automatic Casting Moulding Lines
- Own an Automatic Powder Coating Plant
- Fully Equipped Machining Unit including CNC, VMC, Drilling & Grinding
- Own Advanced Testing & Quality Control Equipments including Spectrometer, BHN & UTM





Euro Cast & Forge

◀ Quick Release Bench Vice 4"



- Fast release lever locks and unlocks the jaw allowing free movement without the use of the handle, making it easier to switch between large and small objects
- Fused steel handle will bend before the vise can be over stressed
- Cast from close grained grey iron to help ensure strength and longevity
- 120° swivel base with three mounting points



Euro Cast & Forge

ECF - 8404 BENCH VICE (MEDIUM DUTY)



Material Option

- Grey Cast Iron
- Ductile Iron

FIXED BASE

| Size mm | Net Wt. Kg. |
|---------|-------------|
| 80 | 4.5.00 |
| 100 | 7.000 |
| 125 | 12.000 |
| 150 | 15.000 |
| 200 | 18.000 |

SWIVEL BASE

| Size mm | Net Wt. Kg. |
|---------|-------------|
| 80 | 6.00 |
| 100 | 8.5000 |
| 125 | 13.500 |
| 150 | 16.500 |
| 200 | 20.500 |

ECF - 8409 BENCH VICE (HEAVY DUTY)

Cross Rib
Heavy Duty

Anvil

Replaceable Steel Jaws

Body & Sliding are
Manufactured from high
quality castings

Swivel Base

Handle / Main
Screw Zinc-Plated

Material Option

- Grey Cast Iron
- Ductile Iron

FIXED BASE

| Size mm | Net Wt. Kg. |
|---------|-------------|
| 80 | 5.500 |
| 100 | 9.500 |
| 125 | 16.000 |
| 150 | 20.000 |
| 200 | 28.000 |
| 250 | 46.000 |
| 300 | 55.000 |

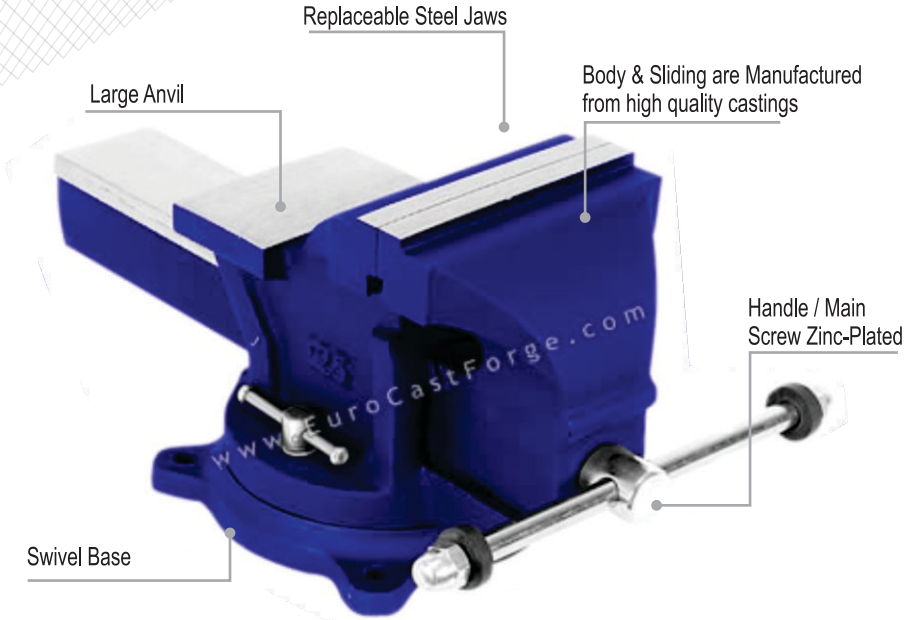
SWIVEL BASE

| Size mm | Net Wt. Kg. |
|---------|-------------|
| 80 | 7.00 |
| 100 | 11.500 |
| 125 | 20.000 |
| 150 | 24.000 |
| 200 | 33.500 |
| 250 | 58.500 |
| 300 | 69.000 |



Euro Cast & Forge

ECF - 8412 BENCH VICE ECONOMIC SERIES



Material Option

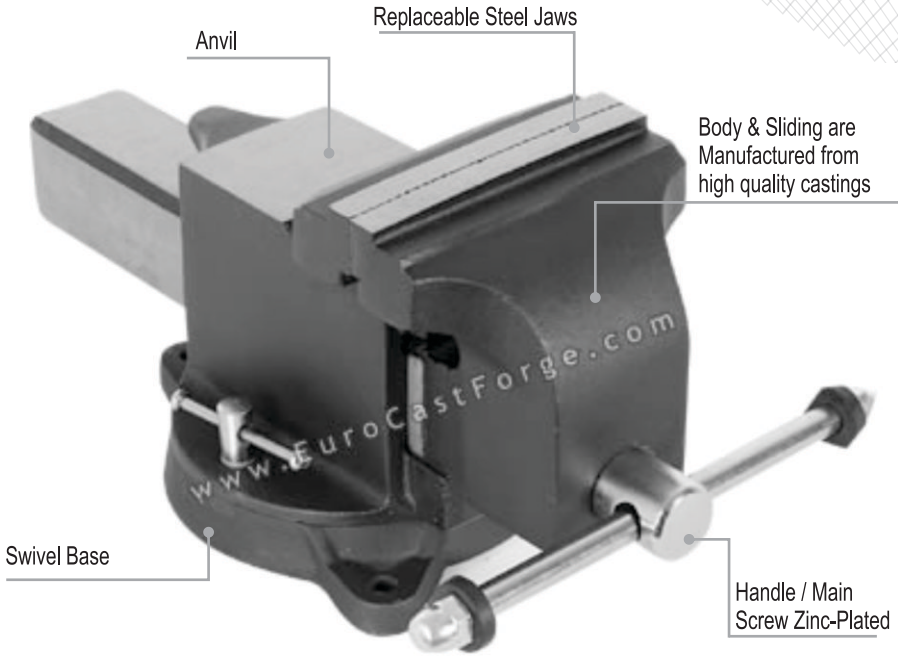
- Grey Cast Iron
- Ductile Iron

SWIVEL BASE

| Size mm | Net Wt. Kg. |
|---------|-------------|
| 80 | 6.000 |
| 100 | 7.500 |
| 125 | 11.000 |
| 150 | 15.000 |
| 200 | 21.000 |

ECF - 8421 BENCH VICE

(WITH FIXED PIPE JAWS)



Material Option

- Grey Cast Iron
- Ductile Iron

FIXED BASE

| Size mm | Net Wt. Kg. |
|---------|-------------|
| 100 | 8.000 |
| 125 | 10.000 |
| 150 | 13.0000 |
| 200 | 19.000 |

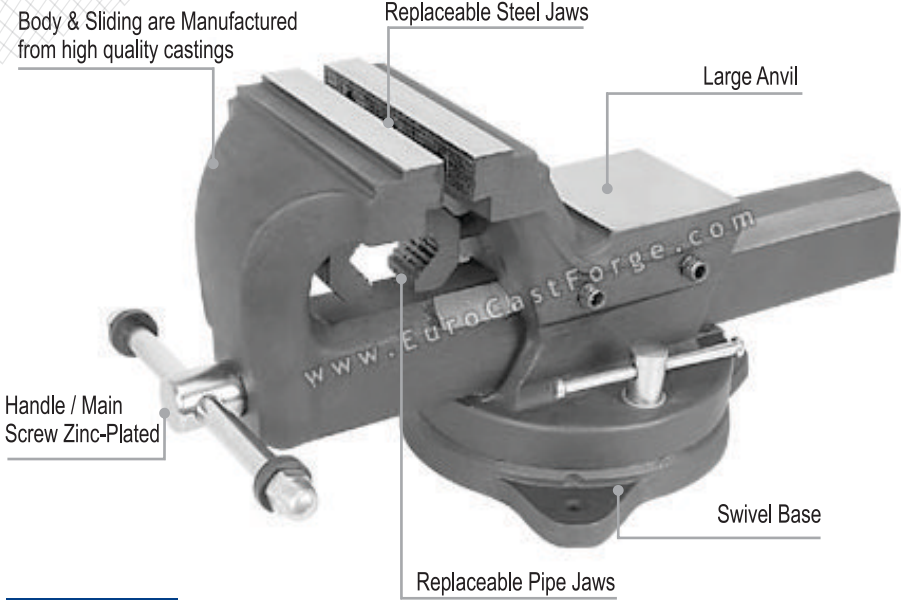
SWIVEL BASE

| Size mm | Net Wt. Kg. |
|---------|-------------|
| 100 | 9.500 |
| 125 | 11.500 |
| 150 | 15.000 |
| 200 | 21.000 |



Euro Cast & Forge

ECF - 8423 BENCH VICE PROFESSIONAL SERIES



Material Option

- Grey Cast Iron
- Ductile Iron

FIXED BASE

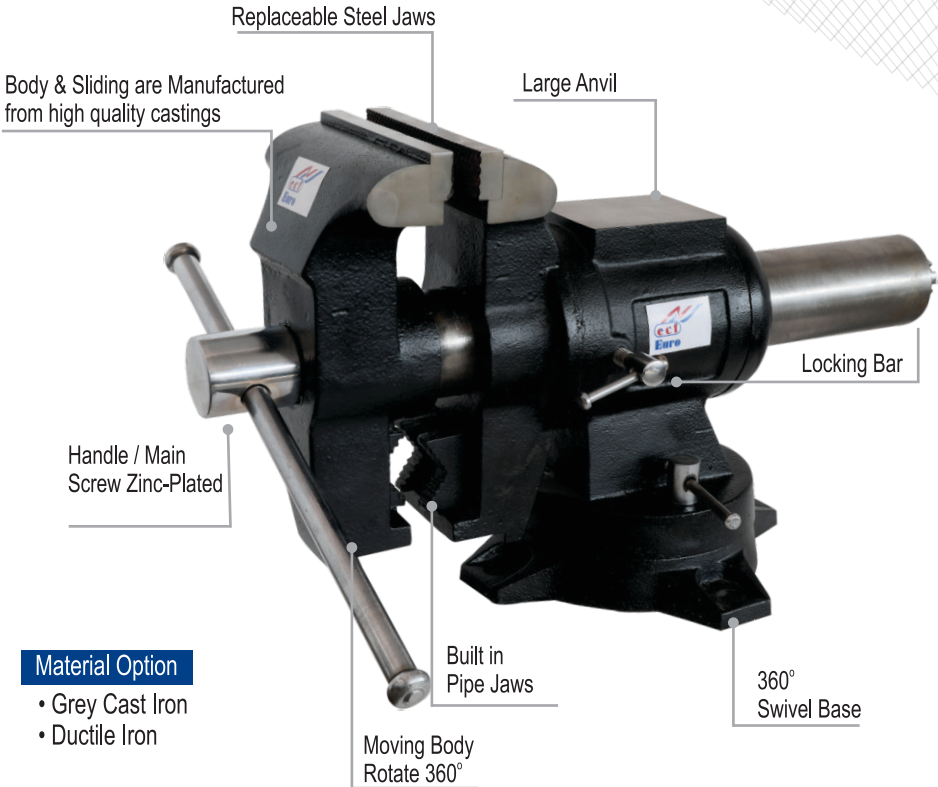
| Size mm | Net Wt. Kg. |
|---------|-------------|
| 100 | 7.000 |
| 125 | 11.000 |
| 150 | 17.000 |
| 200 | 22.500 |

SWIVEL BASE

| Size mm | Net Wt. Kg. |
|---------|-------------|
| 100 | 8.500 |
| 125 | 13.000 |
| 150 | 19.000 |
| 200 | 25.000 |

ECF – 8429 BENCH VICE

[MULTIPURPOSE VICE]



- Material Option**
- Grey Cast Iron
 - Ductile Iron

| Size mm | Net Wt. Kg. |
|-------------|-------------|
| 100 | 14.000 |
| 125 (Light) | 16.000 |
| 125 | 23.000 |
| 150 | 32.000 |



Euro Cast & Forge

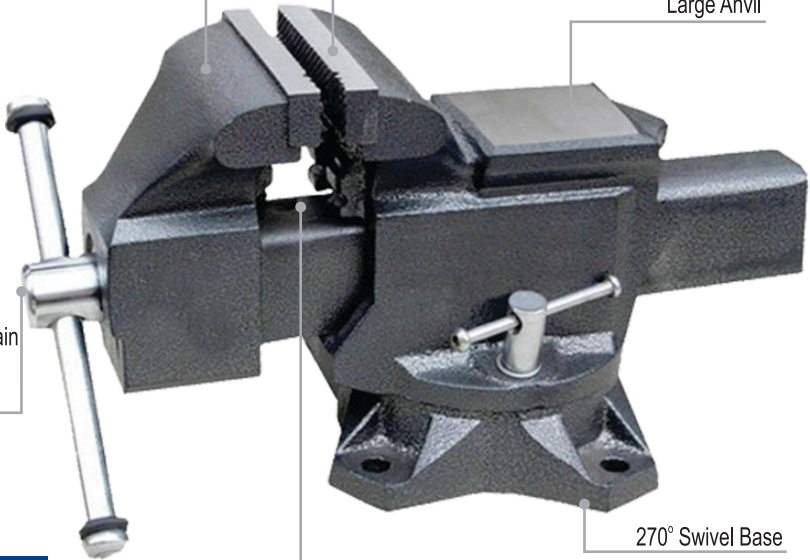
ECF - 8443 BENCH VICE MECHANICS SERIES

Body & Sliding are Manufactured
from high quality castings

Replaceable Steel Jaws

Large Anvil

Handle / Main
Screw
Zinc-Plated



Fixed Pipe Jaws

270° Swivel Base

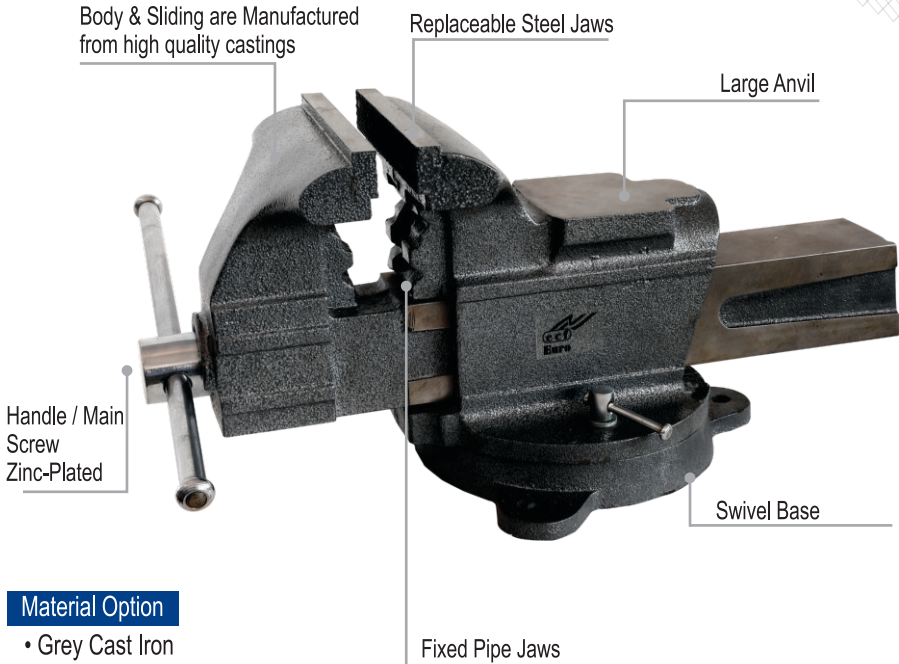
Material Option

- Grey Cast Iron
- Ductile Iron

| Size mm | Net Wt. Kg. |
|---------|-------------|
| 100 | 8.500 |
| 125 | 12.500 |
| 150 | 17.000 |
| 175 | 22.500 |
| 200 | 26.500 |

ECF - 8444 BENCH VICE

(WORLD ONE SERIES)



Material Option

- Grey Cast Iron
- Ductile Iron

| Size mm | Net Wt. Kg. |
|---------|-------------|
| 100 | 8.500 |
| 125 | 13.000 |
| 150 | 19.000 |
| 200 | 25.000 |



Euro Cast & Forge

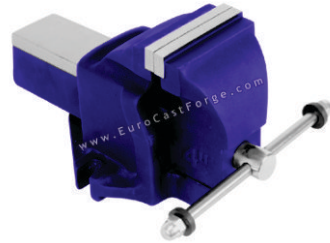
Technical Specification

ECF - 8401

Special heavy duty bench vice fixed base cast iron (record type)

- Graded Casting
- Hardened and tempered jaws made of alloy steel

| Size mm | Net Wt. Kg. |
|---------|-------------|
| 100 | 14.000 |
| 125 | 23.000 |
| 150 | 33.000 |
| 200 | 40.000 |



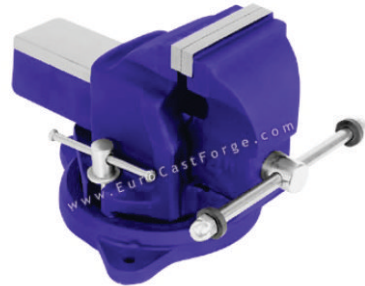
Technical Specification

ECF - 8402

Special heavy duty bench vice swivel base cast iron (record type)

- Graded Casting
- Hardened and tempered jaws made of alloy steel

| Size mm | Net Wt. Kg. |
|---------|-------------|
| 100 | 17.000 |
| 125 | 28.000 |
| 150 | 40.000 |
| 200 | 48.000 |



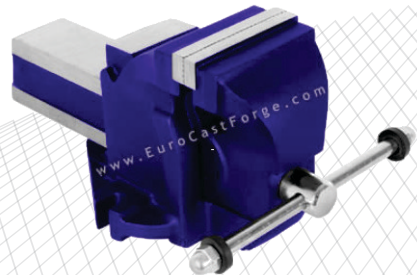
Technical Specification

ECF - 8403

Cast iron bench vice fixed base with anvil
(Industrial vice - record type)

- Graded Casting
- Hardened and tempered jaws made of alloy steel

| Size mm | Net Wt. Kg. |
|---------|-------------|
| 100 | 11.000 |
| 125 | 18.000 |
| 150 | 24.000 |
| 200 | 30.000 |



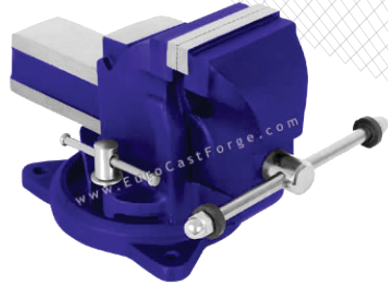
Technical Specification

ECF - 8405

Cast iron bench vice swivel base with anvil
(Industrial Vice - Record type)

- Graded Casting
- Hardened and tempered jaws made of alloy steel

| Size mm | Net Wt. Kg. |
|---------|-------------|
| 100 | 14.000 |
| 125 | 22.000 |
| 150 | 28.000 |
| 200 | 37.000 |



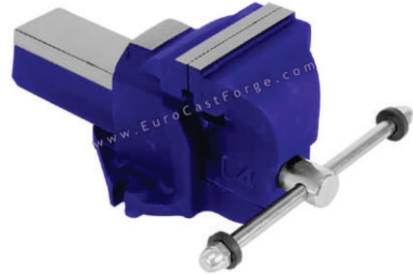
Technical Specification

ECF - 8406

Cast iron bench vice fixed base (DIY - record type)

- Graded Casting
- Hardened and tempered jaws made of alloy steel

| Size mm | Net Wt. Kg. |
|---------|-------------|
| 100 | 8.500 |
| 125 | 12.000 |
| 150 | 15.000 |
| 200 | 19.000 |



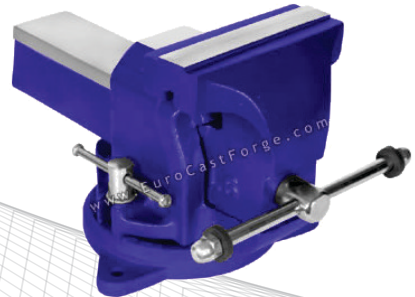
Technical Specification

ECF - 8407

Cast iron bench vice vice swivel base (DIY - record type)

- Graded Casting
- Hardened and tempered jaws made of alloy steel

| Size mm | Net Wt. Kg. |
|---------|-------------|
| 100 | 9.500 |
| 125 | 13.500 |
| 150 | 17.000 |
| 200 | 20.000 |





Euro Cast & Forge

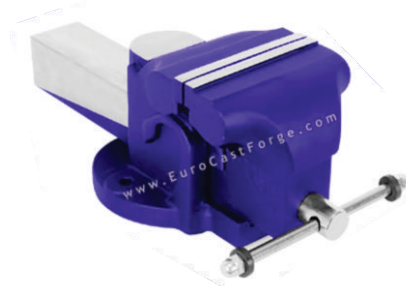
Technical Specification

Cast Iron bench vice fixed base cross cut-heavy duty

- Graded Casting
- Hardened and tempered jaws made of alloy steel

| Size mm | Net Wt. Kg. |
|---------|-------------|
| 100 | 10.000 |
| 125 | 14.000 |
| 150 | 16.000 |

ECF - 8410



Technical Specification

Special heavy duty bench vice fixed base S.G. Iron (Record Type)

- Graded Casting
- Hardened and tempered jaws made of alloy steel

| Size mm | Net Wt. Kg. |
|---------|-------------|
| 100 | 14.000 |
| 125 | 23.000 |
| 150 | 33.000 |
| 200 | 40.000 |

ECF - 8413



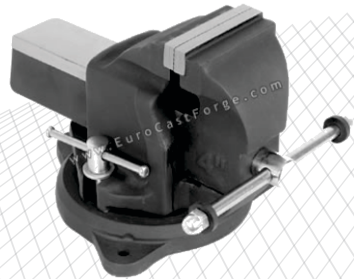
Technical Specification

Special heavy duty bench vice swivel base S.G. iron (record type)

- Graded Casting
- Hardened and tempered jaws made of alloy steel

| Size mm | Net Wt. Kg. |
|---------|-------------|
| 100 | 17.000 |
| 125 | 28.000 |
| 150 | 40.000 |
| 200 | 48.000 |

ECF - 8414



ECF - 8419

Technical Specification

S.G. Iron bench vice swivel base (shop vice) with fixed pipe jaws

- Graded Casting
- Hardened and tempered jaws made of alloy steel

| Size mm | Net Wt. Kg. |
|---------|-------------|
| 100 | 9.500 |
| 125 | 14.000 |
| 150 | 16.500 |
| 200 | 25.500 |



ECF - 8428

Technical Specification

Journeyman combination bench vice swivel base with replaceable pipe jaws S.G. Iron

- Graded Casting
- Hardened and tempered jaws made of alloy steel

| Size mm | Net Wt. Kg. |
|---------|-------------|
| 75 | 6.500 |
| 100 | 12.000 |
| 125 | 20.500 |
| 150 | 31.000 |



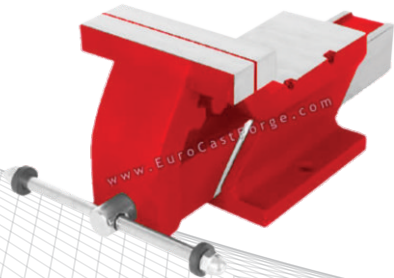
ECF - 8435

Technical Specification

Professional Steel Vice

- Graded Casting
- Hardened and tempered jaws made of alloy steel

| Size mm | Net Wt. Kg. |
|---------|-------------|
| 100 | 5.400 |
| 125 | 13.000 |
| 150 | 16.000 |





Euro Cast & Forge

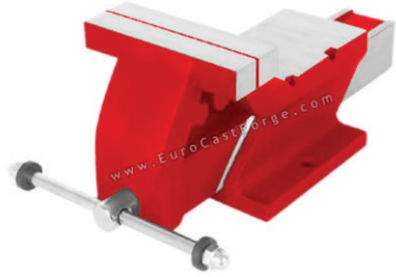
Technical Specification

Professional Steel Vice

- Graded Casting
- Hardened and tempered jaws made of alloy steel

| Size mm | Net Wt. Kg. |
|---------|-------------|
| 100 | 5.400 |
| 125 | 13.000 |
| 150 | 16.000 |

ECF - 8435



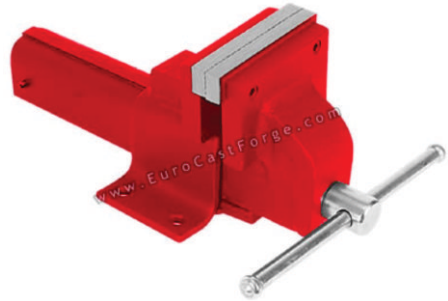
Technical Specification

All Steel fabricated vice record type fixed base

- Graded Casting
- Hardened and tempered jaws made of alloy steel

| Size mm | Net Wt. Kg. |
|---------|-------------|
| 100 | 6.500 |
| 150 | 17.000 |
| 200 | 36.000 |

ECF - 8436



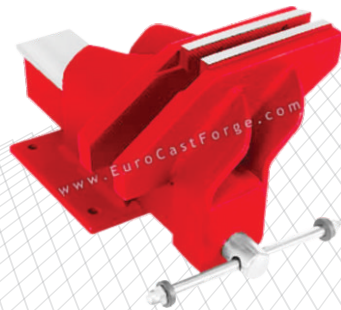
Technical Specification

All Steel fabricated offset vice fixed base

- Graded Casting
- Hardened and tempered jaws made of alloy steel

| Size mm | Net Wt. Kg. |
|---------|-------------|
| 100 | 9.500 |
| 125 | 14.000 |
| 150 | 17.500 |

ECF - 8437



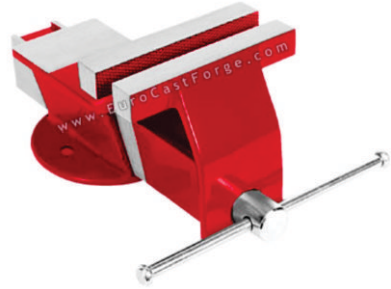
Technical Specification

ECF - 8441

All steel vice fixed base economy model

- Graded Casting
- Hardened and tempered jaws made of alloy steel

| Size mm | Net Wt. Kg. |
|---------|-------------|
| 80 | 3.500 |
| 100 | 4.000 |
| 125 | 5.000 |
| 150 | 6.000 |
| 200 | 11.000 |



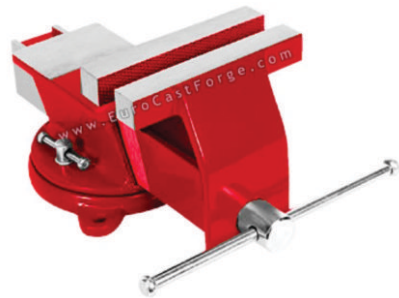
Technical Specification

ECF - 8442

All Steel fabricated vice record type fixed base

- Graded Casting
- Hardened and tempered jaws made of alloy steel

| Size mm | Net Wt. Kg. |
|---------|-------------|
| 80 | 4.000 |
| 100 | 4.500 |
| 125 | 5.500 |
| 150 | 6.500 |
| 200 | 12.000 |



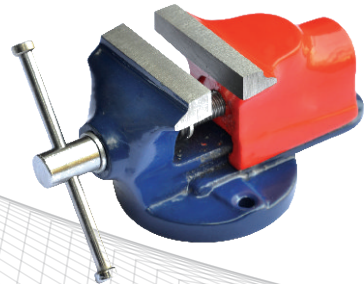
Technical Specification

ECF - 8445

Table Baby vice Fixed base

- Graded Casting
- Applications for holding Jewellery, Electronic Parts & Mobile Parts

| Size mm | Net Wt. Kg. |
|---------|-------------|
| 32 | 0.450 gms |
| 40 | 0.650 gms |
| 50 | 0.750 gms |
| 60 | 1.400 kg |
| 75 | 2.250 kg |





Euro Cast & Forge

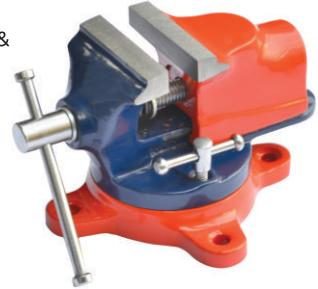
Technical Specification

Table Baby vice swivel base

- Graded Casting
- Applications for holding Jewellery, Electronic Parts & Mobile Parts
- Swivel Base rotating 360°.

| Size mm | Net Wt. Kg. |
|---------|-------------|
| 32 | 0.625 gms |
| 40 | 0.850 gms |
| 50 | 0.950 gms |
| 60 | 1.800 kg. |
| 75 | 2.950 gms |

ECF - 8446



Technical Specification

Table Baby vice Revolving Clamp base

- Graded Casting
- Applications for holding Jewellery, Electronic Parts & Mobile Parts
- Swivel Base rotating 360°.

| Size mm | Net Wt. Kg. |
|---------|-------------|
| 40 | 0.975 gms |
| 50 | 1.100 kg |
| 60 | 1.900 kg |
| 75 | 3.000 kg |

ECF - 8436



Technical Specification

Table Baby vice Clamp base

- Graded Casting
- Applications for holding Jewellery, Electronic Parts & Mobile Parts

| Size mm | Net Wt. Kg. |
|---------|-------------|
| 32 | 0.450 gms |
| 40 | 0.650 gms |
| 50 | 0.750 gms |
| 60 | 1.200 kg |
| 75 | 2.150 kg |
| 100 | 3.000 kg |

ECF - 8448

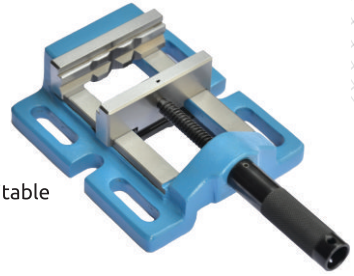


Technical Specification

ECF - 8449

- Made of CI Casting material and it is very durable.
- Holding medium parts in industrial products, Jewelry, Watch, Hobby, Model making, Electronics, Home and Work-Bench and many other applications

Size (L x B x H): 28 cm x 16.2 cm x 6.5 cm jaws width-100 mm, jaws opening-95 mm, jaws depth-30 mm weight - 4 kg, Sturdy craftsman design for drill stands, bench drills and drill presses, these compact vices have a low profile format making them suitable for multitude of metal working and woodworking applications.
Key Feature: Precision Ground Base, Three Way Clamping, This vice have 3 vertical V grooves, 1 Horizontal V grooves



Technical Specification

ECF - 8450

Rotary Barrel Pump

- Robust C.I. housing with precision machined rotor and vanes.
- Delivery 1.25 Gal (5 Liters) / 20 turns.
- Oil resistant synthetic rubber seals.

| Outer Dia | Net Wt. Kg. |
|-----------|-------------|
| 25 mm | 4.000 |





Euro Cast & Forge

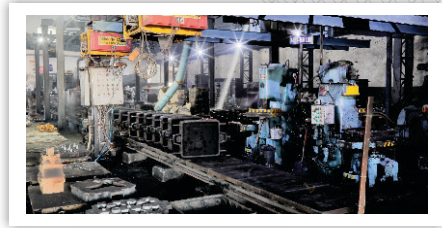
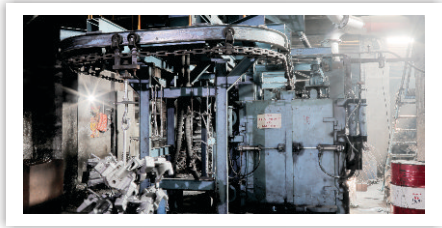
INFRASTRUCTURE





Euro Cast & Forge

INFRASTRUCTURE



Euro Cast & Forge

📍 Mansrovar Chowk, Near Sua Road, Kanganwal,
Industrial Area-C, Ludhiana, Punjab, INDIA.

☎ +91 98765-06070, 97797-00072

✉ info@eurocastforge.com 🌐 www.eurocastforge.com

